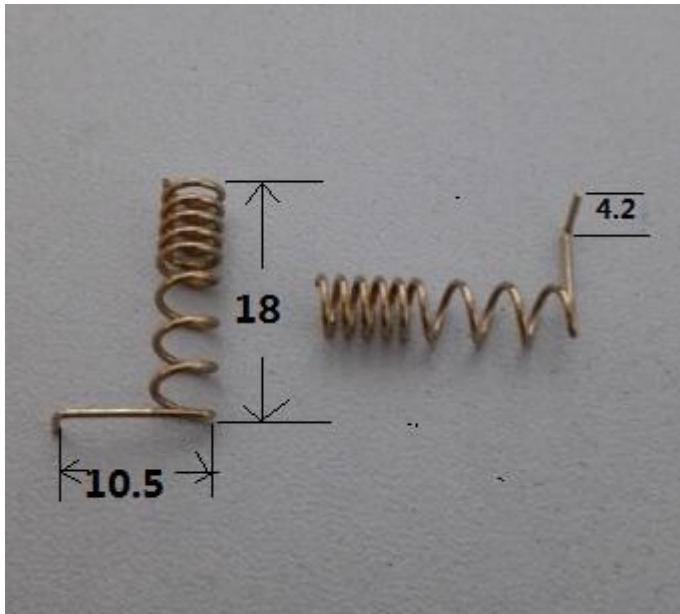




## GSM Internal Spring Antenna

# TOP-GSM-Spring 3 -special for PWM

### Picture:



Unit: mm

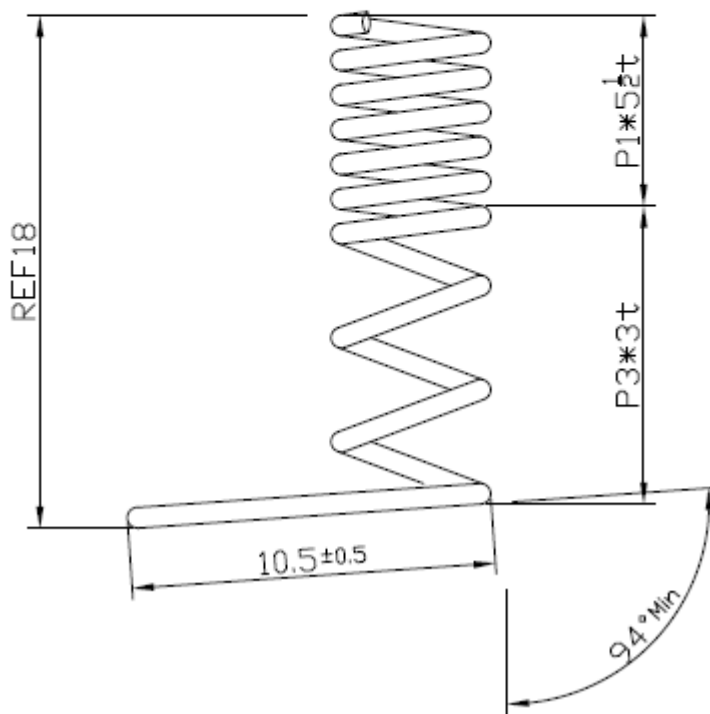
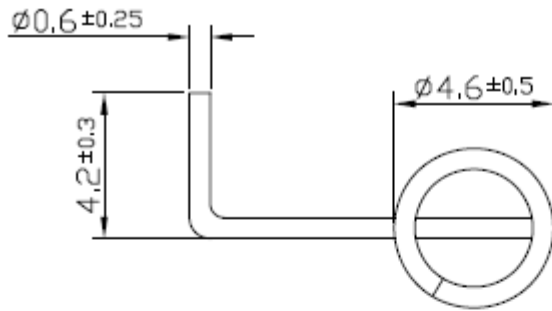


TOP ELECTRONIC INDUSTRY CO., LTD.

[www.topecind.com](http://www.topecind.com)

[www.top-elecomponents.com](http://www.top-elecomponents.com)

## Drawing :



TOP ELECTRONIC INDUSTRY CO.,LTD

Rm407 27th Bldg,Nanhua Zone,Huaqiang South,Futian Dist,SZ,GD,China

Tel:+86-755-8281 5110

Fax:+86-755-8281 5220

Web: [www.topecind.com](http://www.topecind.com)

[www.top-elecomponents.com](http://www.top-elecomponents.com)



TOP ELECTRONIC INDUSTRY CO., LTD.

[www.topecind.com](http://www.topecind.com)

[www.top-elecomponents.com](http://www.top-elecomponents.com)

## SPECIFICATIONS

Item		Specifications
Antenna	Center Frequency	824~960 MHz/1710~1990 MHz 1920~2170 MHz
	Band Width	CF±5MHz
	Polarization	Linear
	Impedance	50Ω
	Gain	1 dBi
	V.S.W.R	<2.5
Mechanical	Material	Phosphor Copper
	Dimension	18*Φ 4.6mm
	Mounting Method	Welding
Environmental	Vibration	10 to 55Hz with 1.5mm amplitude 2hours
	Environmentally Friendly	ROHS Compliant

TOP ELECTRONIC INDUSTRY CO.,LTD

Rm407 27th Bldg,Nanhua Zone,Huaqiang South,Futian Dist,SZ,GD,China

Tel:+86-755-8281 5110

Fax:+86-755-8281 5220

Web: [www.topecind.com](http://www.topecind.com)

[www.top-elecomponents.com](http://www.top-elecomponents.com)